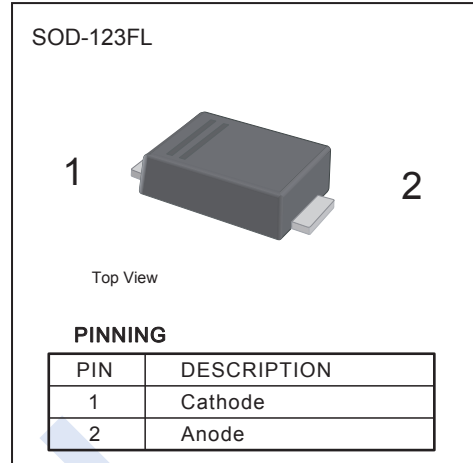


Rectifier Diodes

S2AFL ~ S2MFL

■ Features

- For surface mounted applications
- Low profile package
- Glass Passivated Chip Junction
- Ideal for automated placement
- Lead free in comply with EU RoHS 2011/65/EU directives

■ Absolute Maximum Ratings $T_a = 25^\circ\text{C}$

Parameter	Symbol	S2AF	S2BF	S2DF	S2GF	S2JF	S2KF	S2MF	Unit	
Repetitive Peak Reverse Voltage	V_{RRM}	50	100	200	400	600	800	1000	V	
RMS Voltage	V_{RMS}	35	70	140	280	420	560	700		
Maximum DC Blocking Voltage	V_{DC}	50	100	200	400	600	800	1000		
Forward Voltage @ $I_F=2\text{A}$	V_F	1.1								A
Averaged Forward Current $T_a=65^\circ\text{C}$	I_{FAV}	2								
Peak Forward Surge Current @ 8.3ms	I_{FSM}	60								
Maximum DC Reverse Current $T_a=25^\circ\text{C}$ $T_a=125^\circ\text{C}$	I_R	5 50							μA	
Typical Junction Capacitance (Note.1)	C_j	30							pF	
Typical Thermal Resistance	$R_{\theta JA}$	50							$^\circ\text{C}/\text{W}$	
Junction Temperature	T_j	150							$^\circ\text{C}$	
Storage Temperature	T_{stg}	-55 to 150								

Note.1: Measured at 1MHz and applied reverse voltage of 4V D.C

■ Marking

NO.	S2AFL	S2BFL	S2DFL	S2GFL	S2JFL	S2KFL	S2MFL
Marking	2A1	2A2	2A3	2A4	2A5	2A6	2A7

Rectifier Diodes

S2AFL ~ S2MFL

■ Typical Characteristics

Fig.1 Forward Current Derating Curve

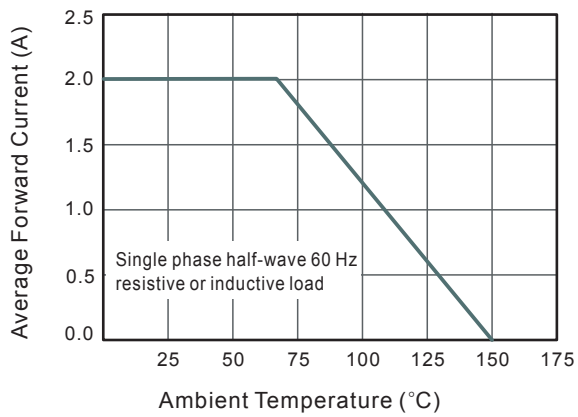


Fig.2 Typical Instantaneous Reverse Characteristics

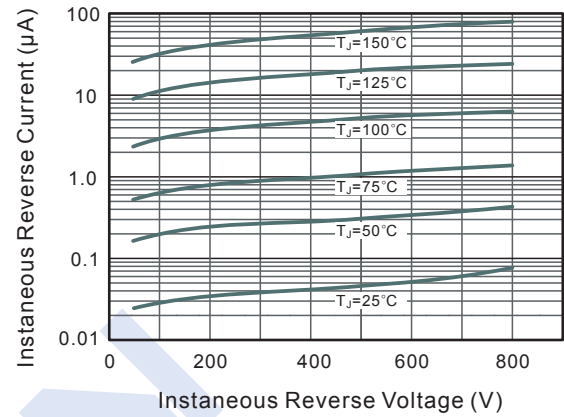


Fig.3 Typical Forward Characteristic

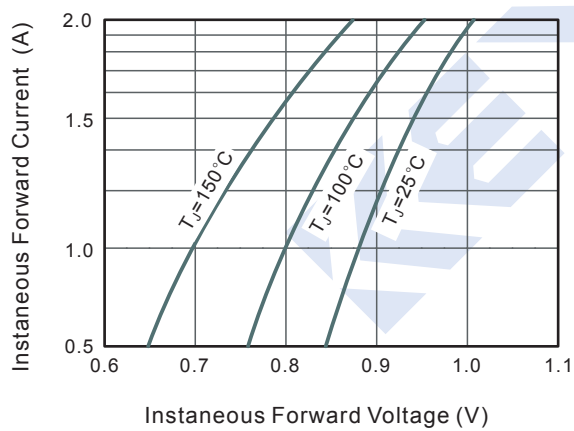
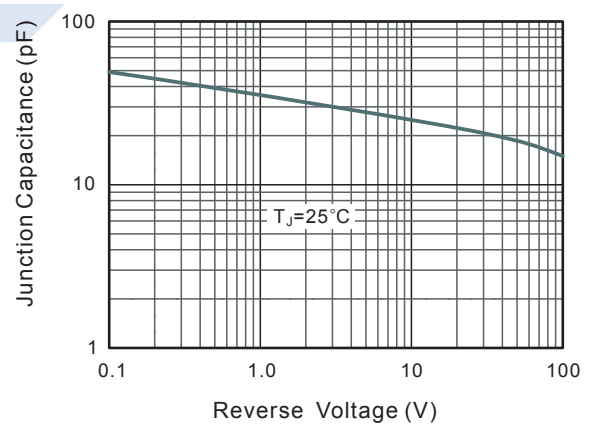


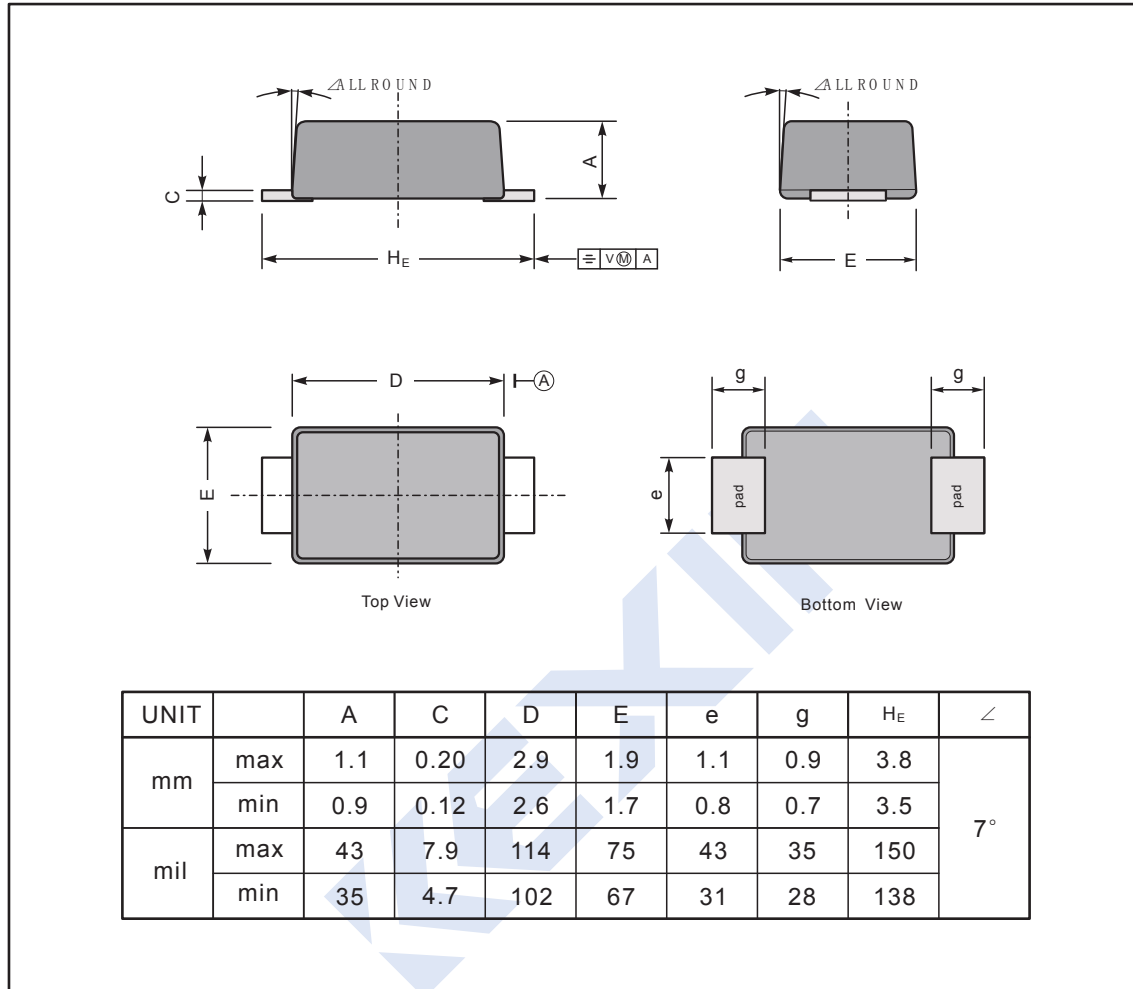
Fig.4 Typical Junction Capacitance



PACKAGE OUTLINE

Plastic surface mounted package; 2 leads

SOD-123FL



The recommended mounting pad size

