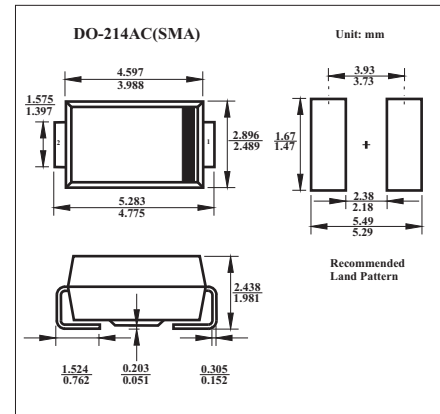


SURFACE MOUNT TRANSIENT VOLTAGE SUPPRESSOR

P4SMAJ16A

■ Features

- For surface mounted applications in order to optimize board space.
- Low profile package
- Built-in strain relief
- Glass passivated junction
- Excellent clamping capability
- Low inductance

■ Absolute Maximum Ratings $T_a = 25^\circ\text{C}$

Parameter	Symbol	Ratings	Units
Peak Power Dissipation at $T_a=25^\circ\text{C}$, $T_P=1\text{ms}$ (Note 1,2,5)	PPPM	Minimum 400	W
Steady State Power Dissipation (Note 3)	PM(AV)	1	W
Peak Forward Surge Current (Note 4)	IFSM	40	A
Peak Pulse Current Current on 10/1000 μs waveform (Note 1,2,5)	IPPM	See Table	A
Operating and Storage Temperature Range	T_j, T_{STG}	-55 to +150	$^\circ\text{C}$

■ Electrical Characteristics $T_a = 25^\circ\text{C}$

Part Number	Reverse Stand-off Voltage	Breakdown Voltage		Test Current	Reverse Leakage	Max. Clamp Voltage	Peak Pulse Current
	V_{RWM}	$V_{BR} @ I_T$		I_T	$I_R @ V_{RWM}$	$V_C @ I_{PP}$	I_{PP}
		Min.	Max.				
P4SMAJ16A	16	17.8	20.5	1.0	5	26.0	15.3

NOTES:

1. Non-repetitive current pulse and derated above $T_a = 25^\circ\text{C}$
2. Mounted on 5.0mm² copper pad to each terminal.
3. lead temperature at 75°C .
4. 8.3ms single half sine-wave, duty cycle= 4 pulses per minutes maximum.
5. Peak pluse power waveformis 10/1000 μs .

■ Marking

Marking	IP
---------	----

P4SMAJ16A

Typical Characteristics

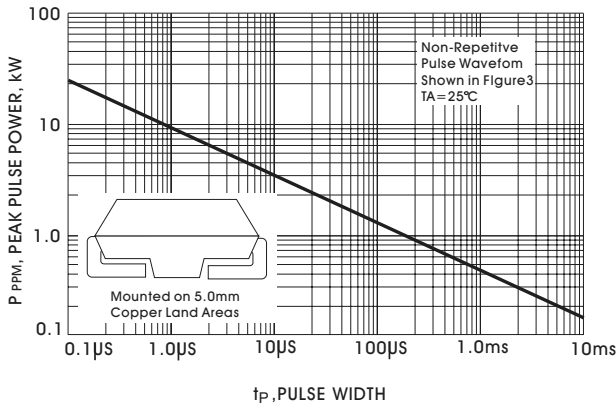


Figure 1, Peak Pulse Power Rating Curve

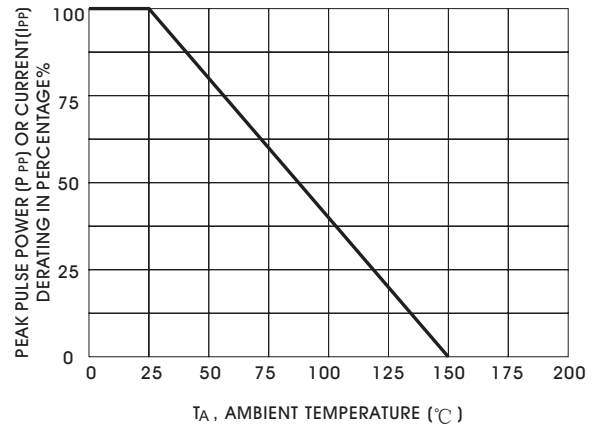


Figure 2, Derating Curve

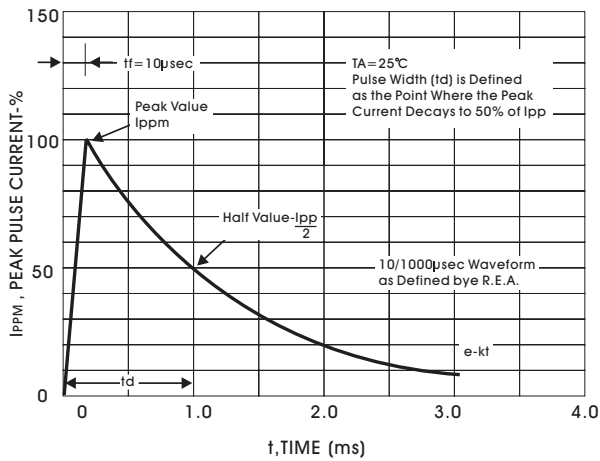


Figure 3, Pulse Waveform

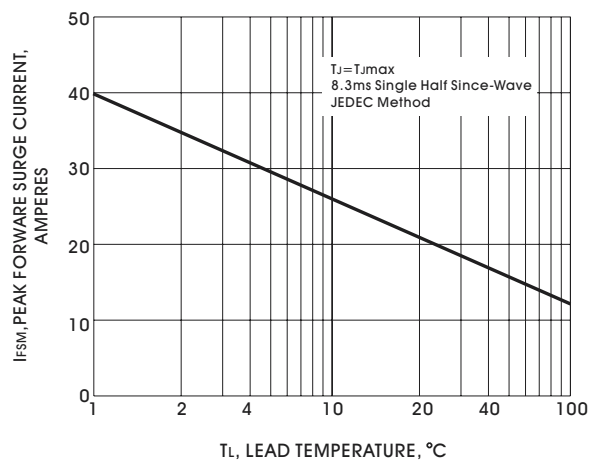


Figure 4, Maximum Non-Repetitive Peak Forward Surge Current

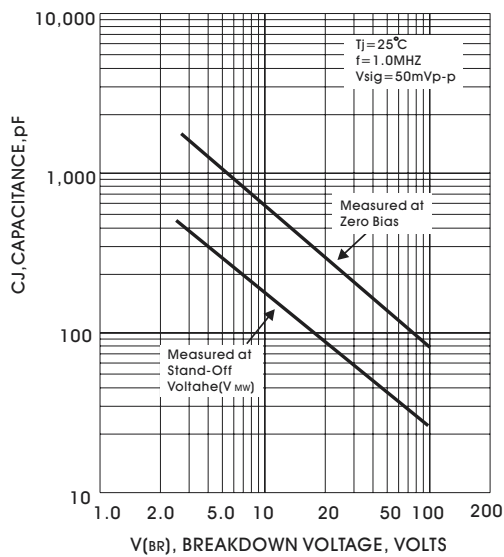


Figure 5, Typical Capacitance