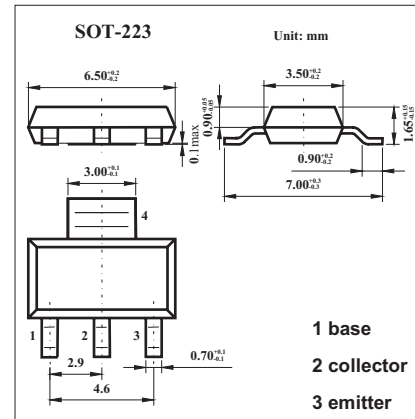


NPN Silicon Planar High Current (High Performance) Transistor

FZT869

■ Features

- Extremely low equivalent on-resistance; $R_{CE(sat)} 44m\Omega$ at 5A.
- 7 Amp continuous collector current (20 Amp peak).
- Very low saturation voltages.
- Excellent gain characteristics specified upto 20 Amp.
- $P_{tot} = 3$ Watts.



■ Absolute Maximum Ratings $T_a = 25^\circ\text{C}$

Parameter	Symbol	Rating	Unit
Collector-base voltage	V_{CB0}	60	V
Collector-emitter voltage	V_{CE0}	25	V
Emitter-base voltage	V_{EB0}	6	V
Peak pulse current	I_c	7	A
Continuous collector current	I_{CM}	20	A
Power dissipation	P_{tot}	3	W
Operating and storage temperature range	T_j, T_{stg}	-55 to +150	$^\circ\text{C}$

FZT869

■ Electrical Characteristics Ta = 25°C

Parameter	Symbol	Testconditons	Min	Typ	Max	Unit
Collector-base breakdown voltage	V _{(BR)CBO}	I _C =100μA	60	120		V
Collector-emitter breakdown voltage *	V _{(BR)CEO}	I _C =10mA	25	35		V
Emitter-base breakdown voltage	V _{(BR)EBO}	I _E =100μA	6	8		V
Collector Cut-Off Current	I _{CBO}	V _{CB} =50V V _{CB} =50V, T _a = 100°C			50 1	nA μA
Emitter Cut-Off Current	I _{EBO}	V _{EB} =6V			10	nA
Collector-emitter saturation voltage *	V _{CE(sat)}	I _C =0.5A, I _B =10mA I _C =1A, I _B =10mA I _C =2A, I _B =10mA I _C =6.5A, I _B =150mA		35 67 168	50 110 215 350	mV
Base-emitter saturation voltage *	V _{BE(sat)}	I _C =6.5A, I _B =300mA			1.2	V
Base-Emitter Turn-On Voltage *	V _{BE(on)}	I _C =6.5A, V _{CE} =1V			1.13	V
DC current gain *	h _{FE}	I _C =10mA, V _{CE} =1V I _C =1A, V _{CE} =1V I _C =7A, V _{CE} =1V I _C =20A, V _{CE} =2V	300 300 200 40	450 450 300 100		
Transitional frequency	f _T	I _C =100mA, V _{CE} =10V f=50MHz		100		MHz
Output capacitance	C _{obo}	V _{CB} =10V, f=1MHz		70		pF
Turn-on time	t _(on)	I _C =1A, V _{CC} =10V		60		ns
Turn-off time	t _(off)	I _{B1} =I _{B2} =100mA		680		ns

* Pulse test: t_p = 300 μs; d ≤ 0.02.

■ Marking

Marking	FZT869
---------	--------