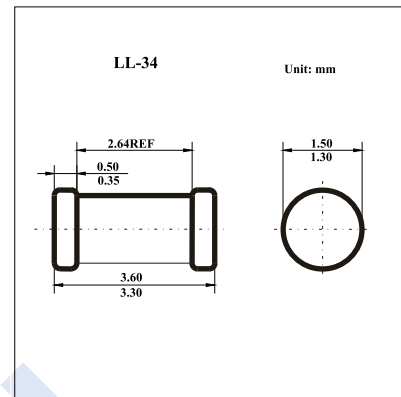


## ZENER DIODES

### BZT55C2V0~BZT55C36

#### ■ Features

- Low zener impedance
- Low regulation factor
- Glass passivated junction
- High temperature soldering guaranteed:  
260 °C/10S at terminals



#### ■ Absolute Maximum Ratings Ta = 25°C

Parameter	Symbol	Rating	Unit
Forward voltage @ If=200mA	V <sub>F</sub>	1.1	V
Power Dissipation (Note.1)	P <sub>d</sub>	500	mW
Thermal Resistance Junction to Ambient (Note.1)	R <sub>θJA</sub>	0.3	K/mW
Junction Temperature	T <sub>J</sub>	175	°C
Storage temperature range	T <sub>stg</sub>	-65 to 175	

Note.1: Valid provided that leads at a distance of 10mm from case are kept at ambient temperature

## ZENER DIODES

### BZT55C2V0~BZT55C36

■ Electrical Characteristics Ta = 25°C

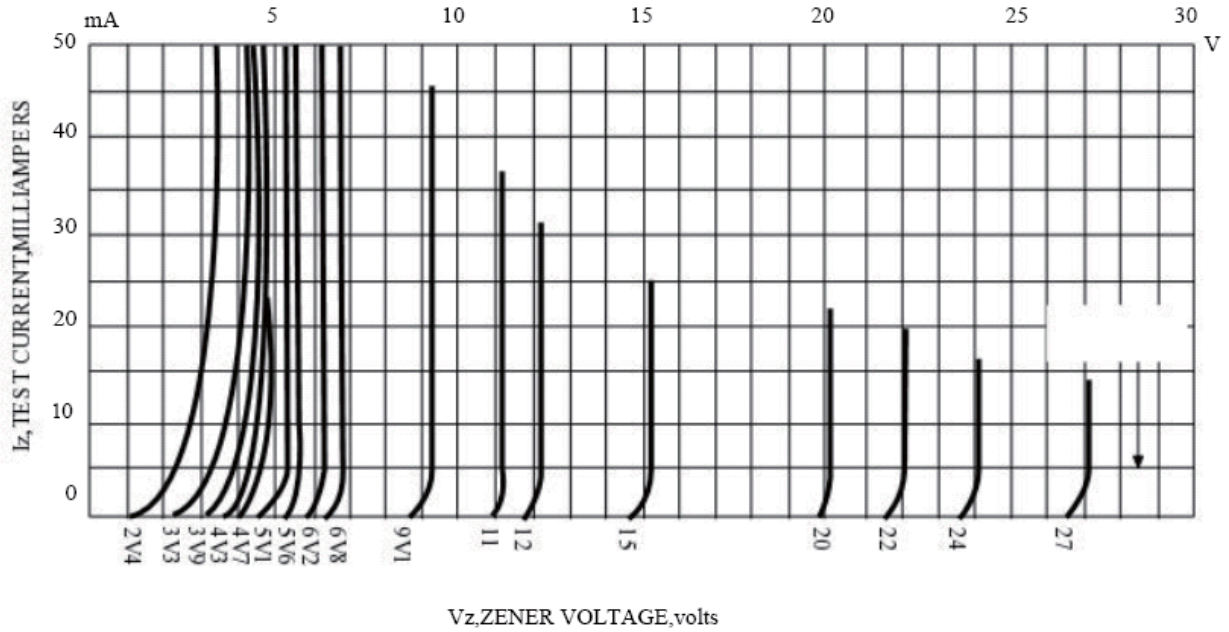
Type No.	Vz(V) 1st		Vz(V) 2nd		Iz (mA)	If (mA)	Vf(V)		Ir(μA)		Zzt(Ohms) 2nd		Zzk(Ohms) 2nd		Zzt(Ohms) 1st	
	MIN.	MAX.	MIN.	MAX.			MIN.	MAX.	Vr(V)	Limit	Izt (mA)	Limit	Izk (mA)	Limit	Izt (mA)	Limit
BZT55C2V0	1.92	2.08	1.91	2.09	5.0	100	0.2	1.0	1.0	50	5.0	100	1.0	1000	5.0	98
BZT55C2V2	2.11	2.29	2.10	2.30	5.0	100	0.2	1.0	1.0	50	5.0	85	1.0	600	5.0	83
BZT55C2V4	2.30	2.54	2.29	2.55	5.0	100	0.2	1.0	1.0	50	5.0	85	1.0	600	5.0	83
BZT55C2V7	2.52	2.88	2.51	2.89	5.0	100	0.2	1.0	1.0	10	5.0	85	1.0	600	5.0	83
BZT55C3V0	2.82	3.17	2.81	3.19	5.0	100	0.2	1.0	1.0	4	5.0	85	1.0	600	5.0	83
BZT55C3V3	3.12	3.48	3.11	3.49	5.0	100	0.2	1.0	1.0	2	5.0	85	1.0	600	5.0	83
BZT55C3V6	3.42	3.78	3.41	3.79	5.0	100	0.2	1.0	1.0	2	5.0	85	1.0	600	5.0	83
BZT55C3V9	3.72	4.08	3.71	4.09	5.0	100	0.2	1.0	1.0	2	5.0	85	1.0	600	5.0	83
BZT55C4V3	4.02	4.57	4.01	4.59	5.0	100	0.2	1.0	1.0	1	5.0	75	1.0	600	5.0	73
BZT55C4V7	4.43	4.97	4.41	4.99	5.0	100	0.2	1.0	1.0	0.5	5.0	60	1.0	600	5.0	58
BZT55C5V1	4.83	5.37	4.81	5.38	5.0	100	0.2	1.0	1.0	0.1	5.0	35	1.0	550	5.0	33
BZT55C5V6	5.23	5.96	5.22	5.98	5.0	100	0.2	1.0	1.0	0.1	5.0	25	1.0	450	5.0	23
BZT55C6V2	5.83	6.56	5.82	6.58	5.0	100	0.2	1.0	2.0	0.1	5.0	10	1.0	200	5.0	8
BZT55C6V8	6.44	7.16	6.42	7.18	5.0	100	0.2	1.0	3.0	0.1	5.0	8	1.0	150	5.0	6
BZT55C7V5	7.04	7.85	7.02	7.88	5.0	100	0.2	1.0	5.0	0.1	5.0	7	1.0	50	5.0	5
BZT55C8V2	7.75	8.65	7.72	8.67	5.0	100	0.2	1.0	6.0	0.1	5.0	7	1.0	50	5.0	5
BZT55C9V1	8.55	9.54	8.53	9.57	5.0	100	0.2	1.0	7.0	0.1	5.0	10	1.0	50	5.0	8
BZT55C10	9.46	10.54	9.43	10.57	5.0	100	0.2	1.0	7.5	0.1	5.0	15	1.0	70	5.0	13
BZT55C11	10.44	11.55	10.42	11.58	5.0	100	0.2	1.0	8.5	0.1	5.0	20	1.0	70	5.0	18
BZT55C12	11.45	12.65	11.42	12.67	5.0	100	0.2	1.0	9.0	0.1	5.0	20	1.0	90	5.0	18
BZT55C13	12.45	14.04	12.42	14.07	5.0	100	0.2	1.0	10.0	0.1	5.0	26	1.0	110	5.0	24
BZT55C14	13.35	14.64	13.33	14.67	5.0	100	0.2	1.0	10.0	0.1	5.0	28	1.0	100	5.0	26
BZT55C15	13.86	15.54	13.83	15.57	5.0	100	0.2	1.0	11.0	0.1	5.0	30	1.0	110	5.0	28
BZT55C16	15.36	17.03	15.33	17.07	5.0	100	0.2	1.0	12.0	0.1	5.0	40	1.0	170	5.0	38
BZT55C18	16.87	19.02	16.83	19.06	5.0	100	0.2	1.0	14.0	0.1	5.0	50	1.0	170	5.0	48
BZT55C20	18.88	21.12	18.84	21.16	5.0	100	0.2	1.0	15.0	0.1	5.0	55	1.0	220	5.0	53
BZT55C22	20.88	23.21	20.84	23.25	5.0	100	0.2	1.0	17.0	0.1	5.0	55	1.0	220	5.0	53
BZT55C24	22.89	25.50	22.85	25.55	5.0	100	0.2	1.0	18.0	0.1	5.0	80	1.0	220	5.0	78
BZT55C27	25.20	28.78	25.15	28.84	5.0	100	0.2	1.0	20.0	0.1	5.0	80	1.0	220	5.0	78
BZT55C30	28.11	31.87	28.06	31.94	5.0	100	0.2	1.0	22.0	0.1	5.0	80	1.0	220	5.0	78
BZT55C33	31.12	34.86	31.06	34.93	5.0	100	0.2	1.0	24.0	0.1	5.0	80	1.0	220	5.0	78
BZT55C36	34.14	37.85	34.07	37.92	5.0	100	0.2	1.0	27.0	0.1	5.0	80	1.0	220	5.0	78

## ZENER DIODES

### BZT55C2V0~BZT55C36

#### ■ Typical Characteristics

Breakdown characteristics



Admissible power dissipation versus ambient temperature  
Valid provided that leads are kept at ambient temperature at a distance of 10mm from case

