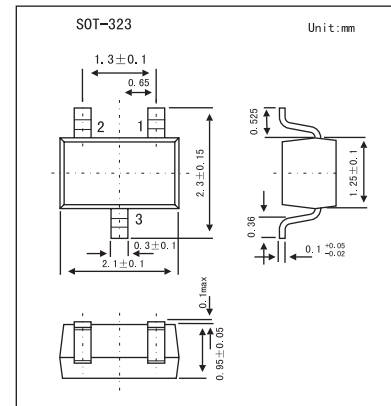


VHF~UHF Band RF Attenuator Applications

1SV252

■ Features

■ Absolute Maximum Ratings $T_a = 25^\circ\text{C}$

Parameter	Symbol	Rating	Unit
Reverse voltage	V_R	50	V
Forward current	I_F	50	mA
Junction Temperature	T_j	125	$^\circ\text{C}$
Storage temperature	T_{stg}	-55 to +125	$^\circ\text{C}$

■ Electrical Characteristics $T_a = 25^\circ\text{C}$

Parameter	Symbol	Conditions	Min	Typ	Max	Unit
Reverse Voltage	V_R	$I_R = 10 \mu\text{A}$	50			V
Reverse Current	I_R	$V_R = 50\text{V}$			0.1	μA
Forward voltage	V_F	$I_F = 50\text{mA}$		0.93	0.98	V
Total capacitance (Note 1)	C_T	$V_R = 50\text{V}, f = 1\text{MHz}$		0.2	0.4	pF
Series resistance	r_s	$I_F = 10\text{mA}, f = 100\text{MHz}$		3.5	10	Ω

Note

1. C_T is measured by 3 terminal method with capacitance bridge.

■ Marking

Marking	BE
---------	----